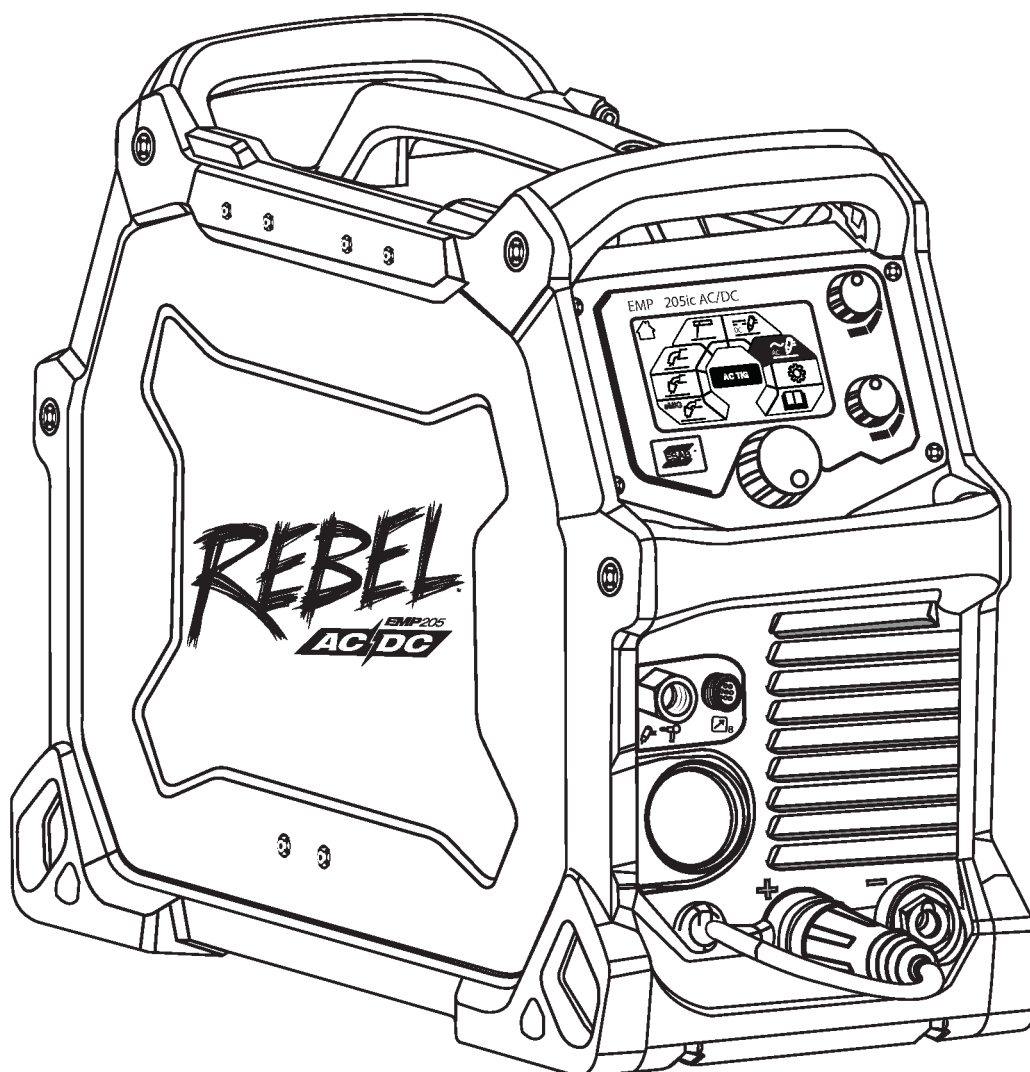


EMP 205ic AC/DC



Spare parts list

Ordering number

0700 300 998

Product

Rebel EMP205ic AC/DC

Notes

Spare parts may be ordered through your nearest ESAB dealer, see esab.com. When ordering, please state product type, serial number, denominations and ordering numbers according to the spare parts list. This facilitates dispatch and ensures correct delivery.

Maintenance and repair work should be performed by an experienced person, and electrical work only by a trained electrician. Use only recommended spare parts.

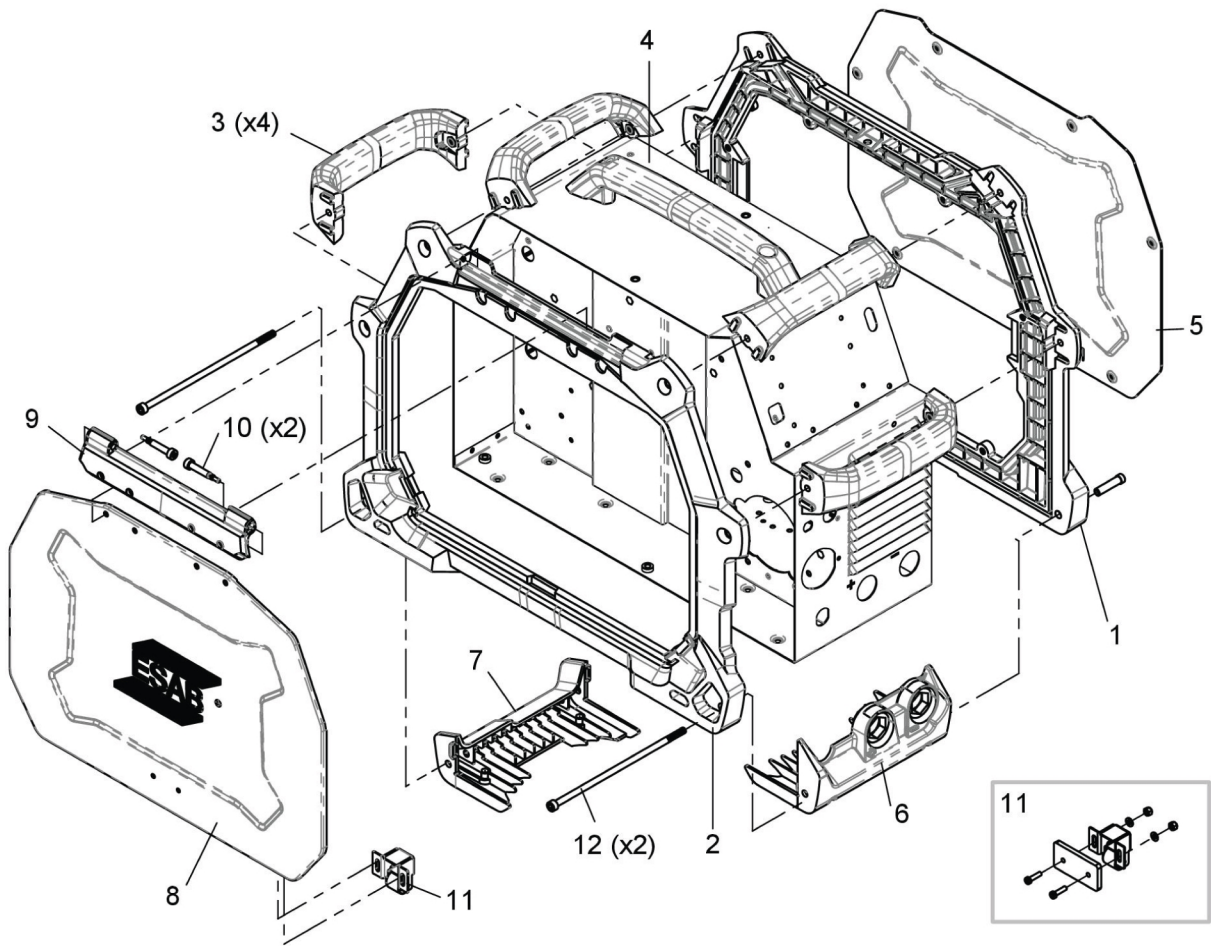
TABLE OF CONTENTS

SPARE PARTS **4**
 Housing parts **4**
 Connection parts **6**
 User-interface parts **7**
 Control/power module parts..... **8**
WEAR PARTS..... **10**

 SPARE PARTS

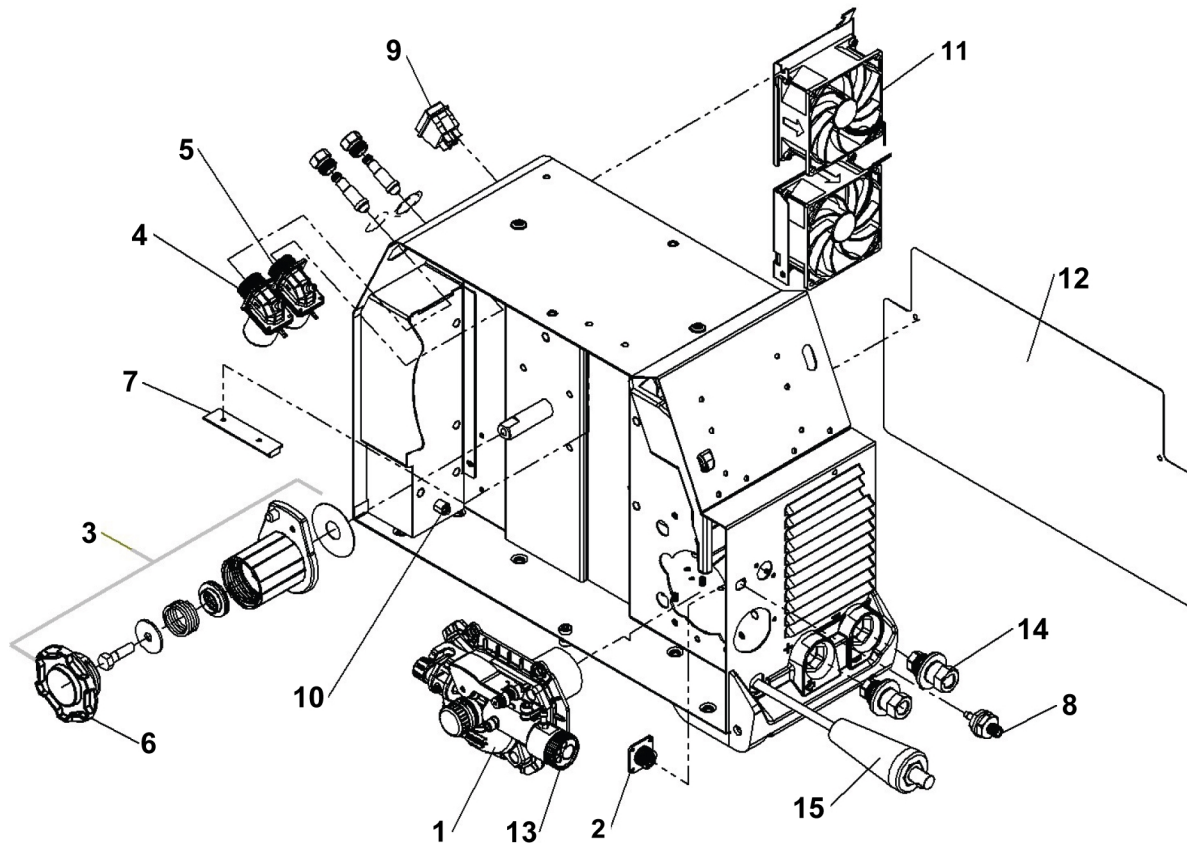
Housing parts

Item	Qty	Ordering no.	Denomination	Notes
1	1	0558 102 397	Side Frame, Power Side	
2	1	0558 102 398	Side Frame, Spool Side	
3	4	0558 102 399	Handle	
4	1	0558 102 400	Top handle	
5	1	0558 102 401	Side door, power side with ESAB logo	CSA/CE (for CE, valid from CA24422530001)
	1	0464 581 001		CE
6	1	0558 102 402	Front foot	
7	1	0558 102 403	Rear foot	
8	1	0558 102 404	Side door, spool side with Rebel logo	CSA
	1	0464 582 001		CE
9	1	0558 102 406	Hinge	
10	2	0558 102 407	Hinge pin	
11	1	0558 102 405	Roller latch assembly	
12	2	0558 102 664	Barrel bolt, M6	



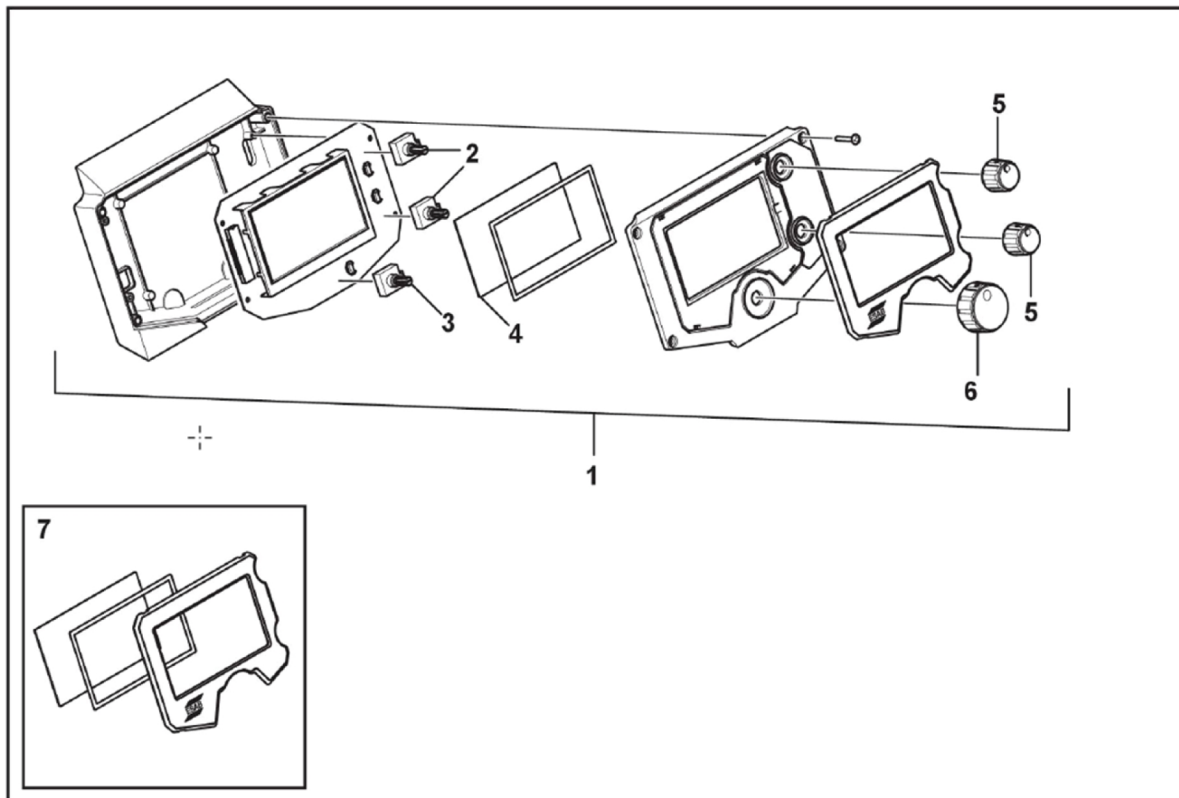
Connection parts

Item	Qty	Ordering no.	Denomination	Notes
1	1	0464 583 408	Wire feeder mechanism	
2	1	0464 637 001	8-pin Remote Cable Assembly	
3	1	0558 102 411	Brake hub kit	
4	1	0464 637 002	MIG Solenoid Gas Assembly	
5		0464 637 003	TIG Solenoid Gas Assembly	
6	1	0558 102 410	Brake hub kit	
7	1	0464 637 005	LED PCB Assembly	
8	1	0464 637 004	Gas connector, BSP	
9	1	0558 102 415	Main supply switch	
10	1	0558 102 521	Circuit breaker	
11	1	0558 102 646	Fan Bracket Assembly	
12	1	0558 102 651	Protective Mylar Sheet	
13	1	0464 558 880	Euro Connection w/Harness	
14	2	0558 102 418	OKC Contact, Female	
15	1	0558 102 419	Polarity Change Cable Assembly	



User-interface parts

Item	Qty	Ordering no.	Denomination	Notes
1	1	0464 663 074	EMP 205ic panel assembly	
2	2	0558 102 423	Encoder for small knob	
3	1	0558 102 424	Encoder for large knob	
4	1	0558 102 438	Replaceable display lens	
5	2	0558 102 440	Knob, small	
6	1	0558 102 441	Knob, large	
7	1	0558 102 653	EMP 205ic lens assembly kit	

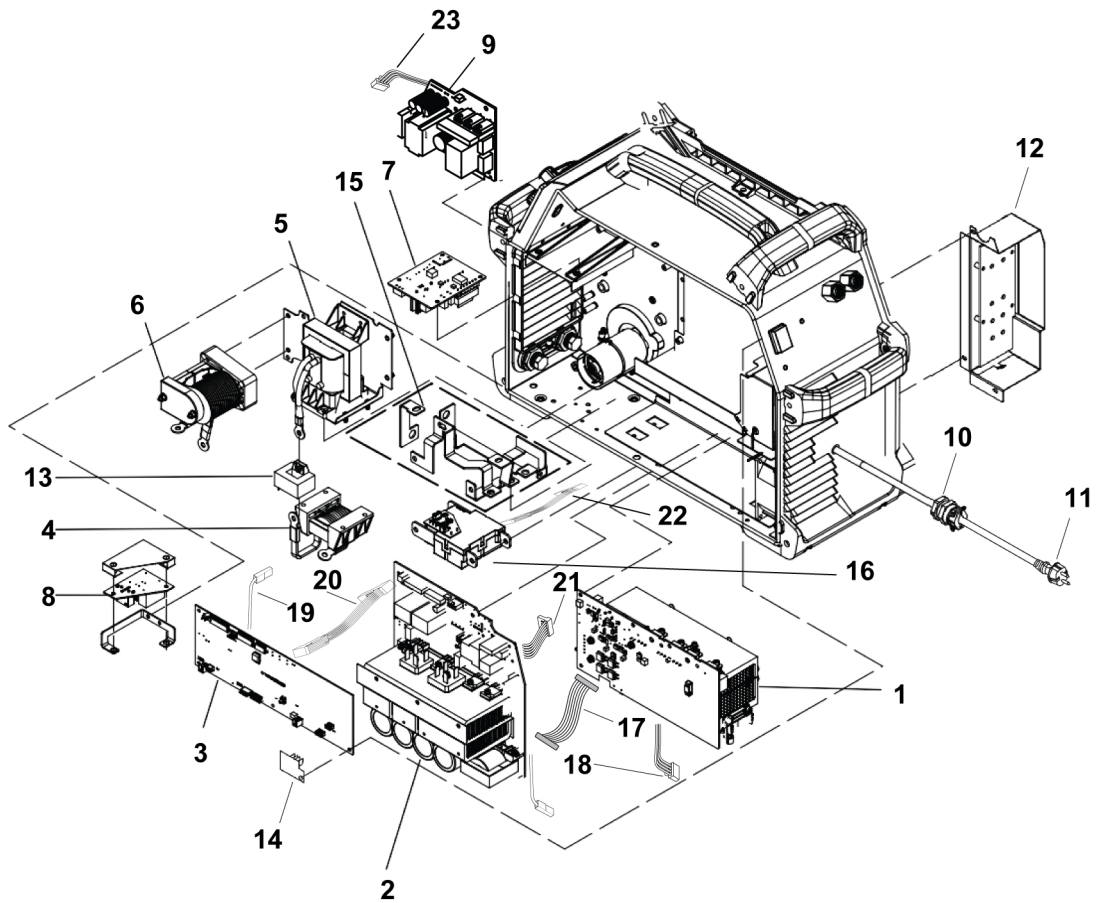


Control/power module parts

Item	Qty	Ordering no.	Denomination	Designator	Notes
1	1	0464 637 006	AC/DC Module, CE	PCB8/14AP3	Valid from CA244yyxxxxxx
	1	0464 637 140	AC/DC Module, CE		
2	1	0464 637 007	Main Power PCBA	PCB2/15AP1	Valid up to CA93721090120
	1	0464 663 139	Main Power PCBA		
3	1	0464 637 008	Control PCBA	PCB3/20AP1	Valid from CA244yyxxxxxx with ECO software
	1	0464 663 150	Control PCBA		
4	1	0464 637 009	Output Inductor Assembly	L2	
5	1	0464 637 010	Main Transformer Assembly, CE	T1	Valid from CA244yyxxxxxx
	1	0464 663 141	Main Transformer Assembly, CE		
6	1	0464 637 011	HF Transformer Assembly	T2	
7	1	0558 102 657	HF Starter PCBA	PCB9/15AP4	
8	1	0464 637 013	HF Bypass Board kit	PCB10/15AP 5	Includes, HF Bypass PCBA, HF bypass board mount assy, HF Bypass board mylar sheet. Valid from CA244yyxxxxxx
9	1	0464 637 013	IPS PCBA	PCB4/15AP2	
10	1	0558 102 662	Mains cable strain relief		
11	1	0464 637 014	Mains cable with input power plug		
12	1	0464 637 015	EMI PCBA with housing		
13	1	0558 102 417	Current sensor		
14	1	0465 689 003	Fan PCBA EMP 205		
15	1	0464 663 142	Copper bar kit		Includes, RL2-E Copper bar assy, RL1-C Copper bar, RL1-E(POS OKC)Copper bar assy, RL2-C Copper bar assy, NEG OKC Copper bar. Valid from CA244yyxxxxxx Fiber glass sleeve
16	1	0464 663 144	Relay PCBA	PCB11/15AP 6	Valid from CA244yyxxxxxx

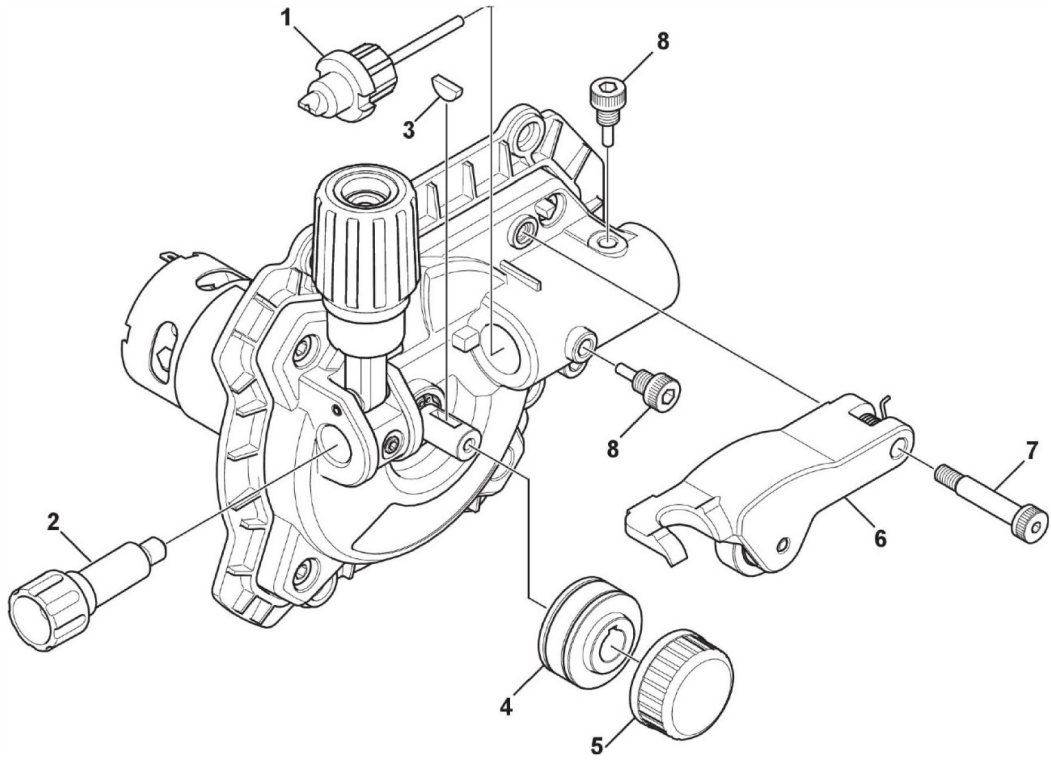
SPARE PARTS

Item	Qty	Ordering no.	Denomination	Designator	Notes
17	1	0558 103 451	Wire Harness 1, Power PCB to Control PCB		CN4-CN19
18	1	0558 103 452	Wire Harness 2, Power PCB to Control PCB		CN1-CN17
19	1	0558 103 453	Wire Harness 1, IPS PCB to Control PCB		CN2-CN2
20	1	0558 103 454	Wire Harness 2, IPS PCB to Control PCB		CN1-CN8
21	1	0558 103 456	Wire Harness, Control PCB to HMI		CN6-CN3
22	1	0558 103 460	Wire Harness, ACDC Inverter to HF Starter		CN2-CN1
23	1	0558 103 458	Wire Harness, Relay PCB to IPS PCB		CN2-CN4



WEAR PARTS

Item	Ordering No.	Denomination	Wire type	Wire dimensions
1	0558 102 460	Wire outlet guide steel	Fe/SS/ Flux Cored	0.8 mm / 0.9 mm / 1.0 mm (0.031 in. / 0.035 in. / 0.040 in.)
	0558 102 461	Wire outlet guide steel	Fe/SS/ Flux Cored	0.6 mm (0.024 in.)
	0464 598 880	Wire outlet guide teflon	Aluminium	1.0 mm - 1.2 mm (0.040 in. - 0.045 in.)
2	0558 102 328	Wire inlet guide	Fe/SS/ Flux Cored	0.6 mm / 0.8 mm / 0.9 mm / 1.2 mm (0.023 in. / 0.030 in. / 0.035 in. / 0.045 in.)
3	0191 496 114	Key-drive shaft crescent	N/A	N/A
4	0367 556 001	Feed roll "V" groove	Fe/SS/Flux Cored	0.6 mm / 0.8 mm (0.023 in. / 0.030 in.)
	0367 556 002	Feed roll "V" groove	Fe/SS/Flux Cored	0.8 mm / 1.0 mm (0.030 in. / 0.040 in.)
	0367 556 003	Feed roll "V" groove	Fe/SS/Flux Cored	1.0 mm / 1.2 mm (0.040 in. / 0.045 in.)
	0367 556 004	Feed roll "U" groove	Aluminium	1.0 mm / 1.2 mm (0.040 in. / 0.045 in.)
5	0558 102 329	Locking knob	N/A	N/A
6	0558 102 331	Pressure arm complete assembly	N/A	N/A
7	0558 102 330	Screw	N/A	N/A
8	0558 102 459	Euro adapter locating screw	N/A	N/A





A WORLD OF PRODUCTS AND SOLUTIONS.



For contact information visit esab.com

ESAB AB, Lindholmsallén 9, Box 8004, 402 77 Gothenburg, Sweden, Phone +46 (0) 31 50 90 00

manuals.esab.com

